

**PSH**

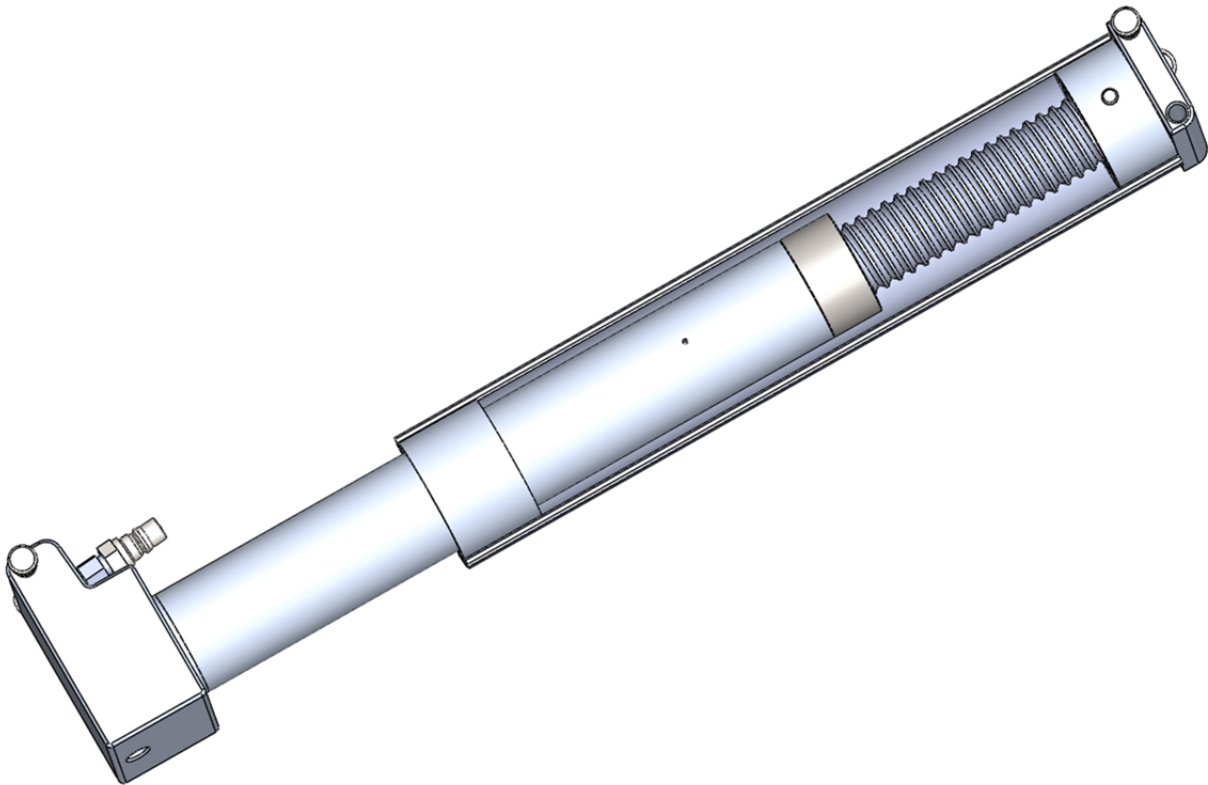
**PACIFIC SHORING, LLC** **VERTICAL ALUMINUM**  
**ALUMINUM SHORING** **HYDRAULIC LOCKING**  
**PRODUCTS** **CYLINDER**

**1**

---

# **VERTICAL ALUMINUM HYDRAULIC LOCKING CYLINDER**

**TABULATED DATA**  
**Effective May 18, 2018**



**PSH**

**PACIFIC SHORING, LLC**  
265 Roberts Avenue  
Santa Rosa, Ca. 95407  
(707) 575-9014



## Contents

General Information for Use of Vertical Aluminum Hydraulic Shores .....	2
Description .....	2

## General Information for Use of Vertical Aluminum Hydraulic Locking Cylinders

1. The hydraulic aluminum locking cylinder tabulated here is based on requirements of Federal OSHA 29CFR, Part 1926, Subpart P-Excavations, and Trenches

1926.652(c)(2)-Option (2) - Designs Using Manufacturer's Tabulated Data.  
1926.652(c)(2)(i) -Design of support systems, shield systems, or other protective systems that are drawn from manufacturer's tabulated data shall be in accordance with all specifications, recommendations, and limitations issued or made by the manufacturer.

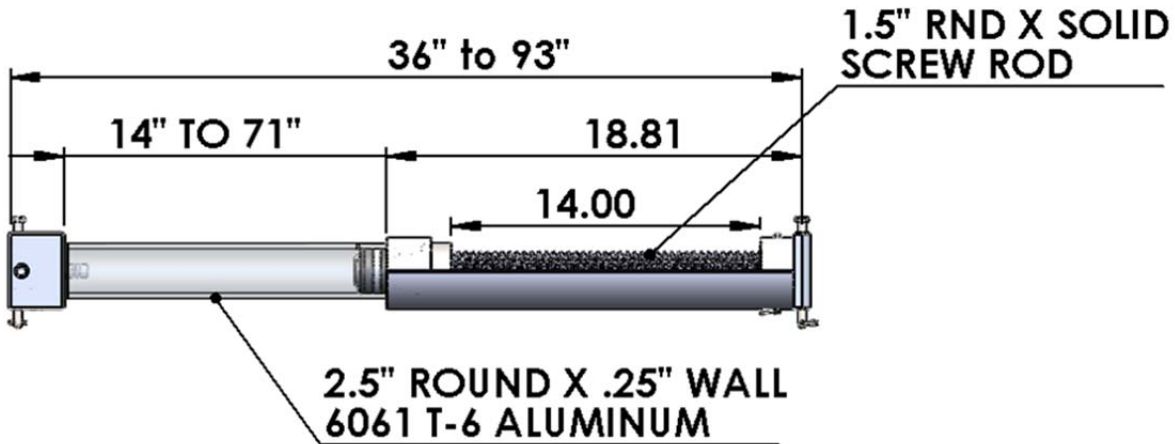
All provisions of Subpart P apply when utilizing this tabulated data.

2. The Pacific Shoring **Aluminum Hydraulic Locking Cylinder** is completely equivalent and interchangeable with the **PSH Aluminum Hydraulic Cylinder** except that it has a mechanism that fully locks it in place so that it cannot collapse should the hydraulic pressure be reduced.
3. Use of the **Pacific Shoring Aluminum Hydraulic Locking Cylinder** shall be in full conformance with the tabulated data for the **PSH Aluminum Hydraulic Shores**.

## Description

The Pacific Shoring **Aluminum Hydraulic Locking Cylinder** was developed to provide a mechanical mechanism that fully locks it in place so that it cannot collapse should the hydraulic pressure be reduced. A hand turn at the screw is all that is necessary. The end blocks are fully compatible with rails used on the PSH aluminum hydraulic shores.

Allowable Strength of the Aluminum Hydraulic Locking Cylinder



LOCKING SHORE TABULATED DATA		
Cylinder Extension (in)	Maximum Allowable Axial Load (lbs)	Weight (lb)
17 – 27	22500	15
22 – 36	22500	15.5
28 – 46	22500	16
34 – 55	22500	16.5
40 – 64	22500	17
52 – 88	22500	17.5