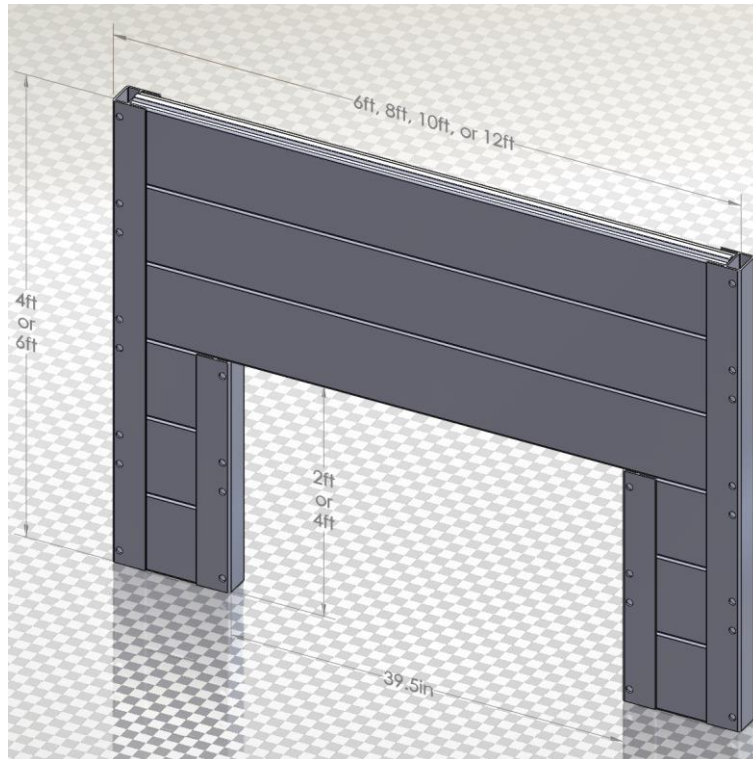


MODULAR ALUMINUM BUILDABLE BOX Cutout Addendum

TABULATED DATA ADDENDUM
Effective August 17, 2015
RED

ALUMINUM BUILDABLE BOX



For panels with a cutout, several usage cases are allowed.

1. 2ft high cutout with box on bottom of excavation:
Use tabulated data for normal box.
2. 2ft high cutout with box lifted on 2ft legs
Use modified tabulated data in table 2.
3. 4ft high cutout with box on bottom of excavation:
 - a. Use modified tabulated data in table 2

When using a 4ft high cutout, the buildable box **MUST** rest at the bottom of excavation.

Table 1: Allowable Loading for Modular Box with no Cutout					
Panel Length (ft)	Allowable PSF	Max Depth for OSHA Soil Type (ft)			
		A25	B45	C60	C80
3	12227	25	25	25	25
4	6878	25	25	25	25
5	4402	25	25	25	25
6	3057	25	25	25	25
7	2246	25	25	25	25
8	1719	25	25	25	21
10	1100	25	23	17	13
12	764	25	15	11	9
13	651	23	13	10	7
14	561	19	11	8	6
16	430	14	8	6	4

Table 2: Allowable Loading for Modular Box with Cutouts					
Panel Length (ft)	Allowable PSF	Max Depth for OSHA Soil Type (ft)			
		A25	B45	C60	C80
3	9170	19	19	19	19
4	5159	19	19	19	19
5	3302	19	19	19	19
6	2293	19	19	19	19
7	1685	19	19	19	19
8	1289	19	19	19	16
10	825	19	17	13	10
12	573	19	11	8	7
13	488	17	10	8	5
14	421	14	8	6	5
16	323	11	6	5	3

Notes:

1. Panels are compatible with most other major manufacturers. However, care should be taken that:
 - a. Panels fit securely and may be pinned in place.
 - b. If there is a discrepancy in rated depths or clearances in tabulated data, the shallower of the depths, or the shorter of the rated clearances is used.