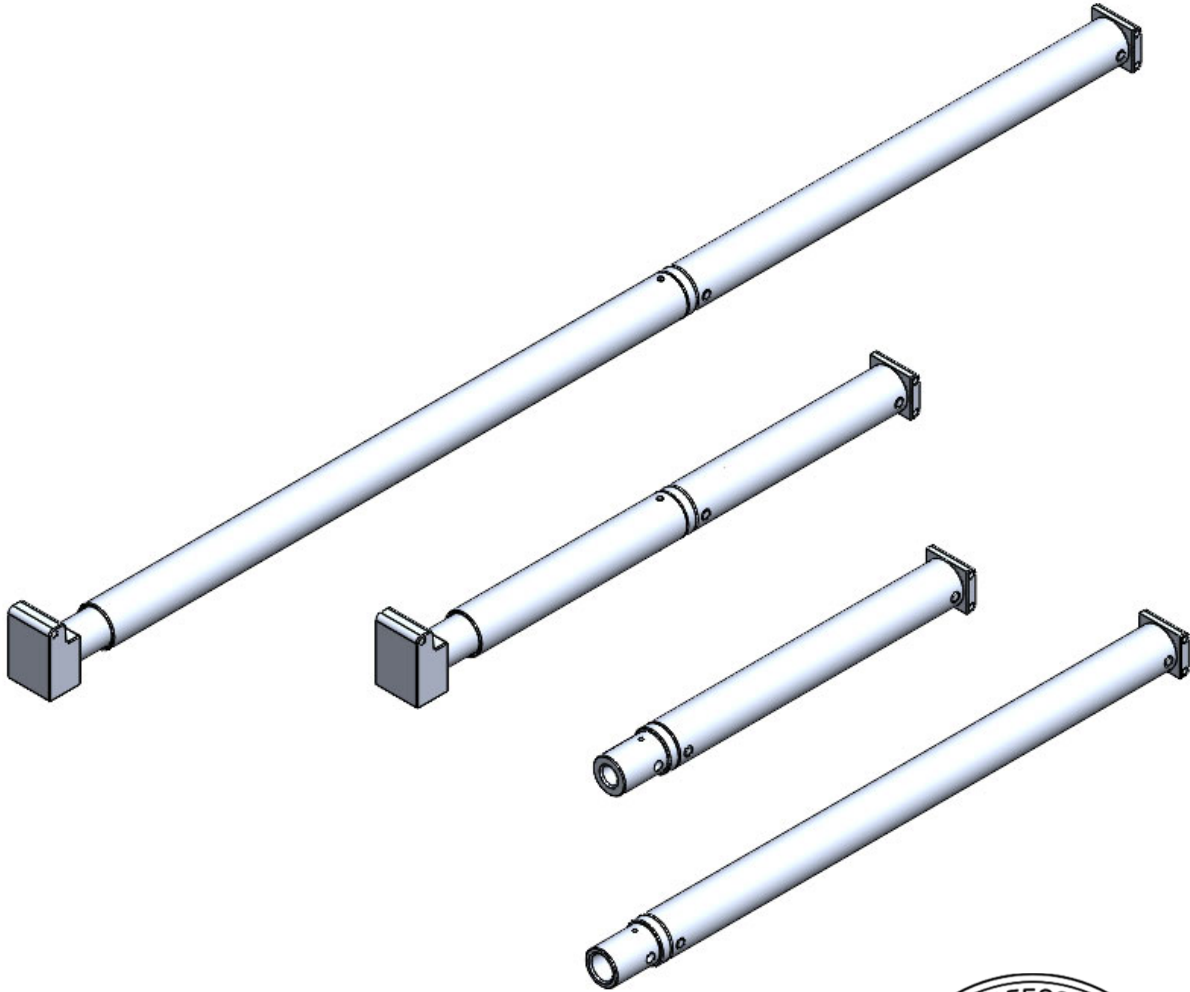
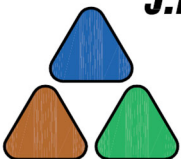


SINGLE-PIECE EXTENSIONS
TABULATED DATA
Effective July 5, 2022



J.M. TURNER ENGINEERING, INC.
CONSULTING ENGINEERS



1325 COLLEGE AVE., SANTA ROSA, CA 95404
(707) 528-4503 FAX (707) 528-4505



7/5/2022

JMT #: 16260-22

Description

The Pacific Shoring Products Single-Piece Extensions are used to extend the range of a 2-inch hydraulic cylinder when used in various applications. This extension is designed to provide quick and efficient installation. What sets these extensions apart from the traditional full length oversleeves extensions is that you can use them on any of the six traditional cylinder sizes. The single welded extension unit can be conveniently added or exchanged onto hydraulic cylinders in the field. Single-Piece Extensions are available in lengths from 6 Inches to 56 Inches and can be ordered with custom intermediate spacing if necessary.

This tabulated data is meant to be used in conjunction with Vertical Aluminum Hydraulic Shoring tabulated data.

Usage

1. Single-Piece extensions are available in lengths up to 56”.
2. Single-Piece extensions can only be used when a fully extended shore does not exceed 12ft.



Table 1: Single-Piece Extensions Overview			
Model Number	Extension Size (in.)	Overall Length (in.)	Weight (lbs.)
4.4 PS-2-SPEXT-6	6.00	10.25	5.09
4.4 PS-2-SPEXT-12	12.00	16.25	6.06
4.4 PS-2-SPEXT-18	18.00	22.25	7.03
4.4 PS-2-SPEXT-24	24.00	28.25	8.00
4.4 PS-2-SPEXT-30	30.00	34.25	8.96
4.4 PS-2-SPEXT-36	36.00	40.25	9.93
4.4 PS-2-SPEXT-40	40.00	44.25	10.58
4.4 PS-2-SPEXT-42	42.00	46.25	10.90
4.4 PS-2-SPEXT-48	48.00	52.25	11.87
4.4 PS-2-SPEXT-56	56.00	60.25	13.17

Engineering Data

The following data may be used with site-specific or custom plans to calculate bending or buckling loads on the extension.

Table 2: Engineering Properties	
Material	6061-T6 Aluminum
Cross Section	3" x 3/16" Wall Tube
Compression Area	1.657 in ²
Section Modulus	1.095 in ³
Area Moment of Inertia	1.642 in ⁴
Length	3/4" under Nominal Extension Length