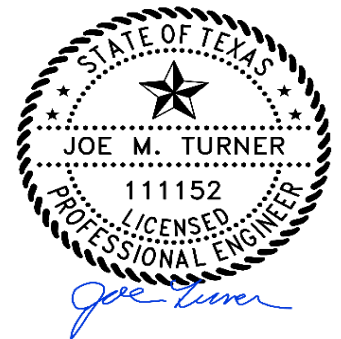
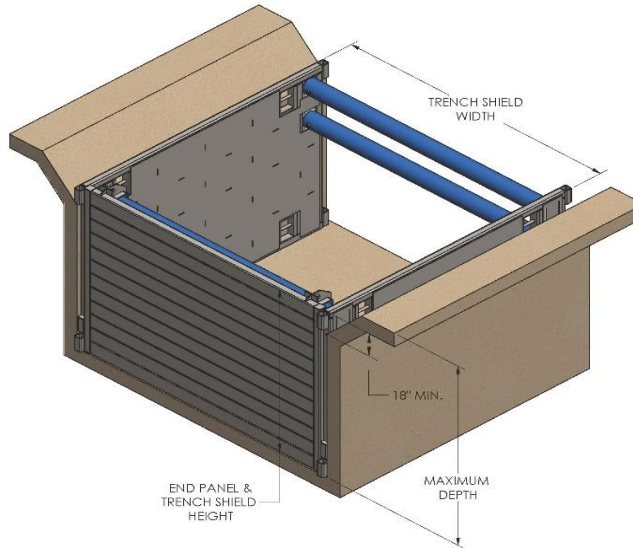
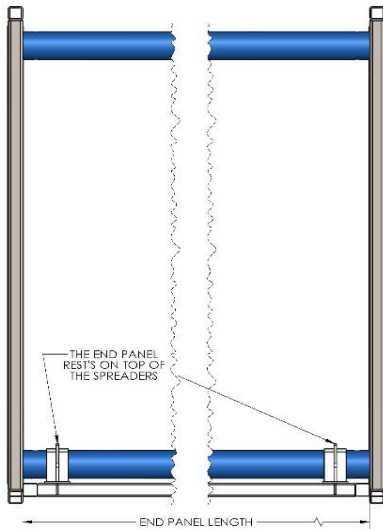


# END PANEL TABULATED DATA

5385 Bay Oaks Dr.  
Pasadena TX 77505

Model Number:	XTS-410-EP	End Panel Height:	4'	Trench Shield Height:	4'
Serial Number:	PS22781	End Panel Length:	10'	Trench Shield Width:	10'
Manufacture Date:	3/10/2023	End Panel Weight:	1,095 LBS.	33% Shoring Use Factor:	NO
Wall Thickness:	4"	Spreader Diameter:	8" SCH 80. PIPE	Pressure Rating:	2,337 PSF

SOIL TYPE	A-25	B-45	C-60	C-80
MAXIMUM DEPTH	40'	40'	39'	29'



Signed on 3/10/2023

### NOTES & LIMITATIONS:

- 1) SOIL MUST BE CLASSIFIED BY A COMPETENT PERSON AS TYPE A, B, OR C IN ACCORDANCE WITH OSHA STANDARD 29 CFR, PART 1926, SUPART P.
- 2) SLOPED SOILS MUST EXTEND TO NO LESS THAN 18" BELOW THE TOP OF THE SHIELD, AS SHOWN IN THE DIAGRAM ABOVE. END PANEL AND SHIELD NEED NOT EXTEND ABOVE THE SOIL WHEN SOILS ARE FLAT AND LEVEL WITH THE TOP OP OF THE SHIELD.
- 3) END PANEL AND SHIELD SHALL BE USED UNDER THE SUPERVISION AND DIRECTION OF A COMPETENT PERSON AS DEFINED BY OSHA STANDARD 29 CFR, PART 1926, SUPART P. AND ALL MANUFACTURER'S RECOMMENDATIONS. AMONG OTHER QUALIFICATIONS, THE COMPETENT PERSON SHALL BE TRAINED IN THE USE OF TRENCH SHIELDS AND HAVE PRACTICAL FIELD EXPERIENCE WITH THE USE OF THE SHIELDS, SOIL CLASSIFICATIONS, AND RECOGNIZING HAZARDOUS CONDITIONS.
- 4) THIS TABULATED DATA APPROVES THE END PANEL OUTLINED ABOVE TO BE USED WITH A MAXIMUM OF 24' - LONG TRENCH SHIELDS ONLY. P.ENG. STAMPED TABULATED DATA FOR THE TRENCH SHIELD MUST BE PROVIDED AND OVERALL DEPTH SHALL NEVER EXCEED THE LOWEST RATING AMONG THE TWO INDEPENDENT TABULATED DATA DOCUMENTS.
- 5) SURCHARGE LOADS AND EQUIPMENT SETBACK LIMITS HAVE NOT BEEN INCLUDED IN THE ABOVE RATINGS. THE ALLOWABLE DEPTH RATING MUST BE REDUCED TO ACCOUNT FOR ANY SURCHARGE LOADING THAT MAY INFLUENCE THE SHIELD, OTHERWISE, SITE-SPECIFIC ENGINEERING IS REQUIRED.
- 6) SHIELDS SHALL BE INSTALLED IN A MANNER THAT WILL PREVENT LATERAL OR OTHERWISE HAZARDOUS MOVEMENT OF SOILS. SHIELDS ARE NOT INTENDED TO PROVIDE STABILITY TO ADJACENT BUILDINGS OR OTHER STRUCTURES.
- 7) CONTRACTOR MUST ENSURE THAT THE GROUNDWATER LEVEL ON ALL SIDES OF THE SHORING IS MAINTAINED BELOW THE BASE OF THE EXCAVATION AT ALL TIMES, OTHERWISE, THIS CERTIFICATION IS INVALID.
- 8) EXTERIOR WALLS OF THE SHIELD AND END PANEL SHALL BE IN DIRECT CONTACT WITH SOILS.
- 9) SHIELDS AND END PANELS MUST BE INSPECTED PRIOR TO EACH USE FOR ANY DAMAGE OR DETERIORATION. IF THE ASSEMBLY HAS SUSTAINED DAMAGE, THE TABULATED DATA IS VOID UNTIL REPAIRS ARE MADE AND APPROVED IN WRITING BY A LICENSED ENGINEER.
- 10) ANY MODIFICATIONS TO THE END PANELS USING PARTS THAT ARE NOT MANUFACTURED BY PACIFIC SHORING PRODUCTS, EXTENDING THE HEIGHT OR LENGTH OF SHORING IN ANY WAY, OR CHANGING THE LOADING CONDITION, WILL VOID THIS TABULATED DATA AND THE PANEL SHALL NOT BE USED WITHOUT APPROVAL IN WRITING BY A LICENSED PROFESSIONAL ENGINEER.
- 11) THE END PANEL AND SHIELD MAY BE STACKED, PROVIDED THAT APPROPRIATE CONNECTIONS ARE MADE BETWEEN THE STACKED SHIELDS TO PREVENT LATERAL MOVEMENT.
- 12) THIS DOCUMENT HAS BEEN PREPARED BY A P.E., AS REQUIRED BY OSHA STANDARD 29 CFR, PART 1926, SUPART P.