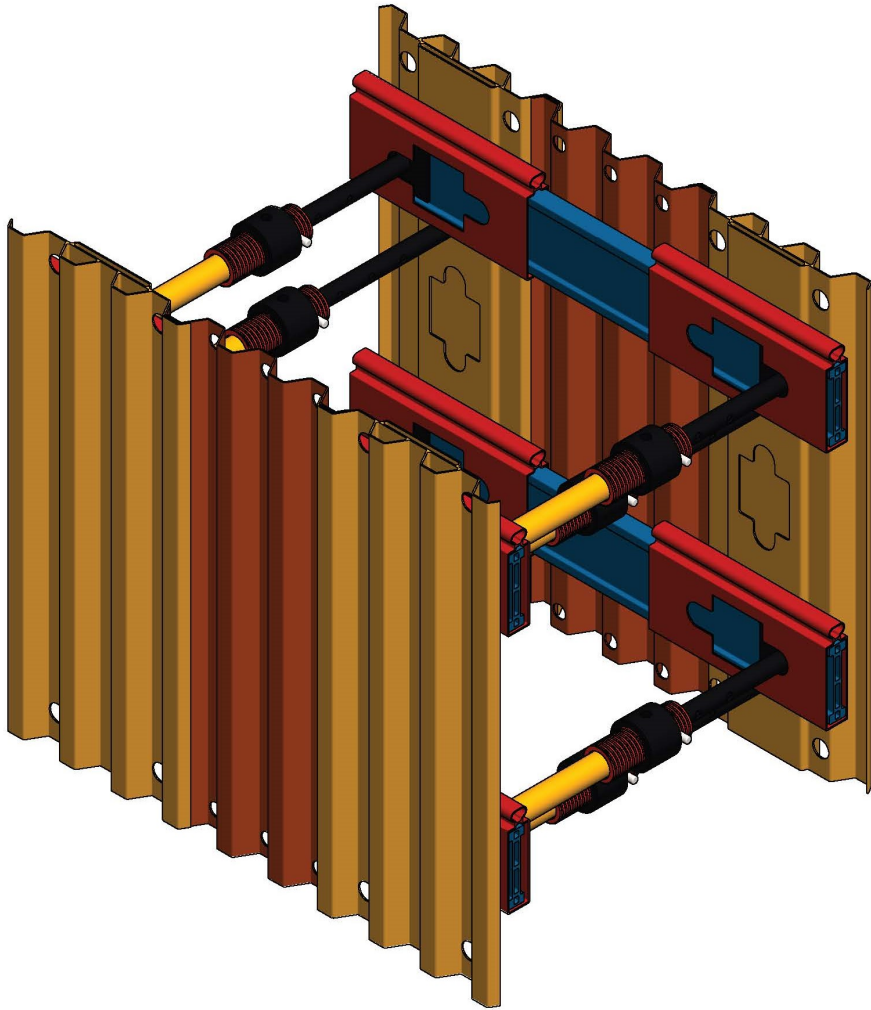


# Pacific SHORING

Quality Driven, Lead Time Focused



## EZE SHORING

EZE Shoring is a lightweight and easy to assemble system that utilizes composite struts to make it 100% non-conductive. The versatile, high performance composite system is the safest, easiest, and lightest weight trench shoring product available.

EZE Shoring's light weight, versatility, and non-conductive nature make it the ideal solution for both:

- *The installation of underground utilities such as gas, water, & electricity.*
- *Applications in Trench Rescue where speed of installation is critical.*

EZE Shoring offers simplicity, with no pins, clips, slings, pumps, or hydraulics to worry about. Each component weighs less than 55 lbs. and can be easily identified. The entire system can be easily transported in the back of a cargo van or pickup truck for rapid deployment.

**Allowable Depths  
Up to 8' in C-60 Soil**

**Lightweight**

**Non-Conductive**

**Zero Magnetic  
Signature**

**Color Coded  
Components**

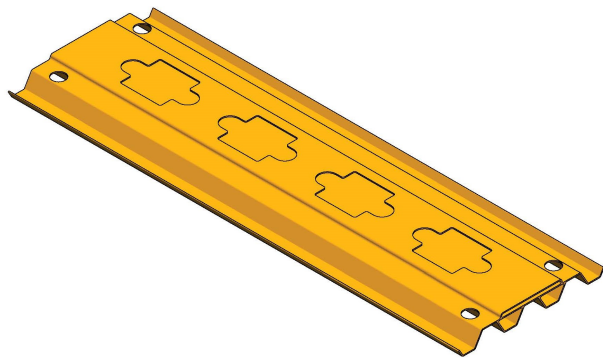
**Easily Transported**

### **Corporate Address:**

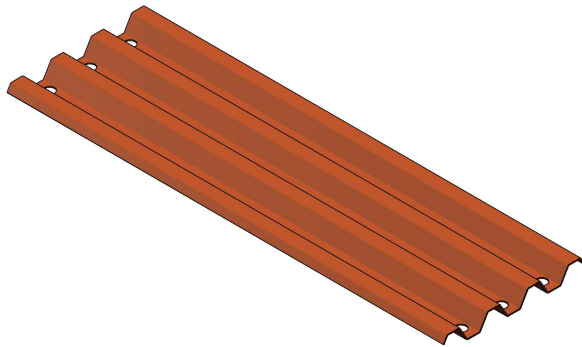
265 Roberts Avenue,  
Santa Rosa, CA 95407

### **Contacts:**

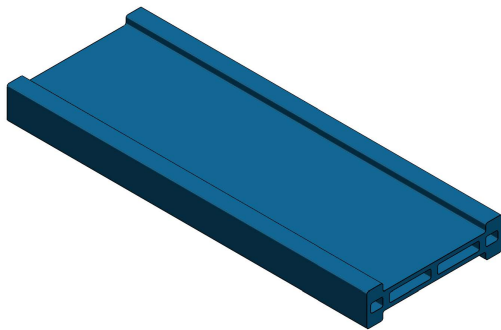
[pacificshoring.com](http://pacificshoring.com)  
[sales@pacificshoring.com](mailto:sales@pacificshoring.com)  
(833) 705-1938



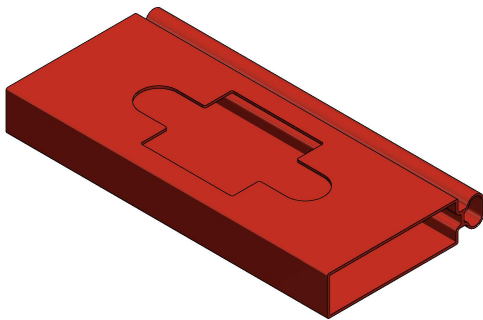
EZE Hub Pile		
Description	Length (in.)	Weight (lbs.)
EZEH 1380	54.38	21.60
EZEH 1760	69.25	27.55
EZEH 2140	84.25	33.50
EZEH 2520	99.25	39.45



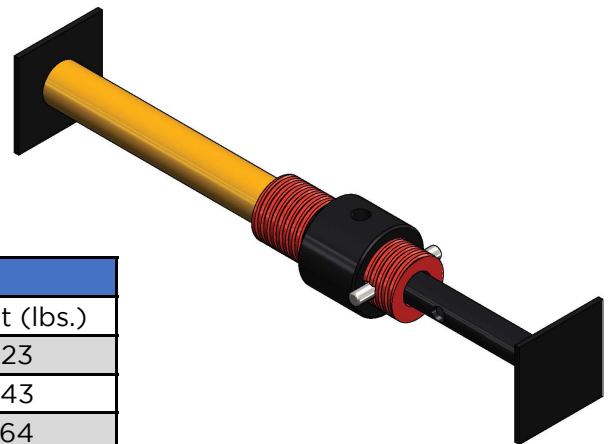
EZE Infill Pile		
Description	Length (in.)	Weight (lbs.)
EZEI 1380	54.38	15.65
EZEI 1760	69.25	19.84
EZEI 2140	84.25	24.25
EZEI 2520	99.25	28.66



EZE Waler		
Description	Length (in.)	Weight (lbs.)
EZEW 1500	59.00	28.66
EZEW 2000	78.75	37.48
EZEW 2500	98.42	46.30
EZEW 3000	118.11	55.00



EZE Slider		
Description	Length (in.)	Weight (lbs.)
EZES 560	22.00	5.73



EZE Strut				
Description		Range (in.)	SWL (lbs.)	Weight (lbs.)
Composite	EZEC ST1	20.0 - 28.0	6745	13.23
	EZEC ST2	28.0 - 44.0	6745	15.43
	EZEC ST3	41.0 - 69.0	6745	17.64
Steel	EZEC ST4	20.0 - 28.0	6745	16.53
	EZEC ST5	28.0 - 44.0	6745	19.84
	EZEC ST6	41.0 - 69.0	6745	25.79
	EZEC ST7	63.5 - 98.0	6745	39.90