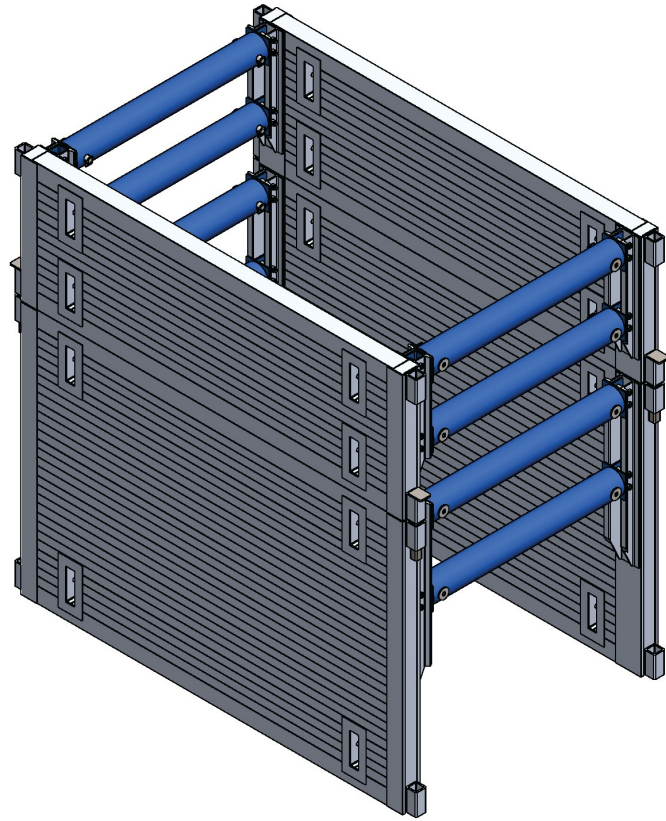


Pacific SHORING

Quality Driven, Lead Time Focused



| Lite Gaurd - Super Size Plus Aluminum Shield Properties | | | | | | | | | | | |
|---|---------------------|---------------------|----------------------|------------------------------|------|------|------|------------------------------|---------------|--------------------------|---------------|
| Standard-Duty | Shield Height (ft.) | Shield Length (ft.) | Load Capacity (PSF.) | Allowable Depth Rating (ft.) | | | | Allowable Trench Width (ft.) | Spreader Size | Vertical Clearance (in.) | Weight (lbs.) |
| | | | | A-25 | B-45 | C-60 | C-80 | | | | |
| | 8 | 12 | 1,440 | 30 | 30 | 24 | 18 | 20 | 8" SCH. 80 | 60 | 3,912 |
| | 8 | 16 | 1,080 | 30 | 24 | 18 | 14 | 20 | 8" SCH. 80 | 60 | 4,866 |
| | 8 | 20 | 878 | 30 | 20 | 15 | 11 | 20 | 8" SCH. 80 | 60 | 5,829 |
| | 8 | 24 | 725 | 29 | 16 | 12 | 9 | 20 | 8" SCH. 80 | 60 | 6,792 |
| Heavy-Duty | Shield Height (ft.) | Shield Length (ft.) | Load Capacity (PSF.) | Allowable Depth Rating (ft.) | | | | Allowable Trench Width (ft.) | Spreader Size | Vertical Clearance (in.) | Weight (lbs.) |
| | | | | A-25 | B-45 | C-60 | C-80 | | | | |
| | 8 | 12 | 1,800 | 30 | 30 | 30 | 23 | 20 | 8" SCH. 80 | 60 | 4,031 |
| | 8 | 16 | 1,380 | 30 | 30 | 23 | 17 | 20 | 8" SCH. 80 | 60 | 4,986 |
| | 8 | 20 | 1076 | 30 | 24 | 18 | 13 | 20 | 8" SCH. 80 | 60 | 5,949 |
| | 8 | 24 | 840 | 30 | 19 | 14 | 11 | 20 | 8" SCH. 80 | 60 | 7,934 |
| XTS-4M-8XXFB | Shield Height (ft.) | Shield Length (ft.) | Load Capacity (PSF.) | Allowable Depth Rating (ft.) | | | | Allowable Trench Width (ft.) | Spreader Size | Vertical Clearance (in.) | Weight (lbs.) |
| | | | | A-25 | B-45 | C-60 | C-80 | | | | |
| | 8 | 12 | 1,771 | 40 | 40 | 34 | 26 | 20 | 8" SCH. 80 | 64 | 5,701 |
| | 8 | 16 | 1,339 | 40 | 34 | 24 | 20 | 20 | 8" SCH. 80 | 64 | 7,165 |
| | 8 | 20 | 965 | 38 | 23 | 20 | 14 | 20 | 8" SCH. 80 | 64 | 8,726 |
| | 8 | 24 | 597 | 26 | 17 | 14 | 10 | 20 | 8" SCH. 80 | 64 | 10,366 |