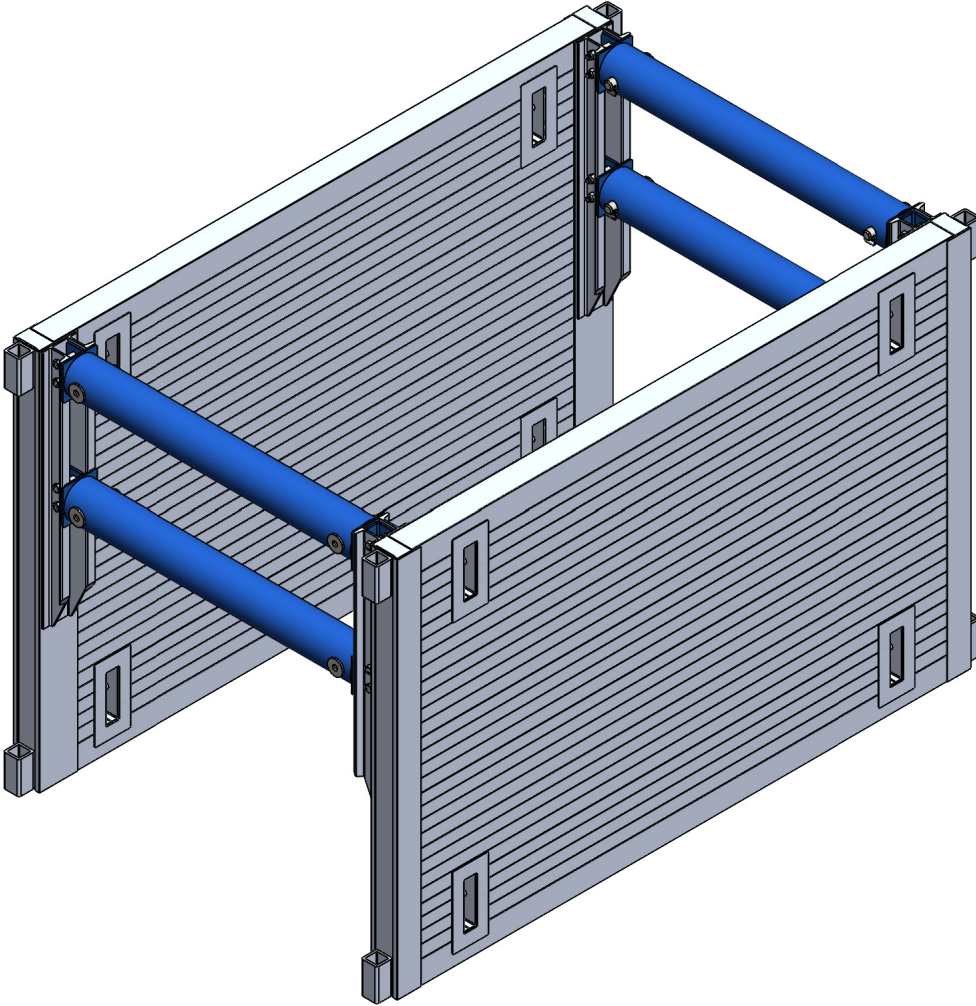


Pacific SHORING

Quality Driven, Lead Time Focused



Lite Guard

Super-Size Plus Aluminum Shields

The Lite Guard Super-Size Plus Shield is a proven lightweight aluminum alternative to heavy steel trench shields that enables users to install the shields with much smaller, more mobile, and less expensive equipment. The shields are available in various configurations with multiple spreader options to suit changing job site conditions. With robust 6-Inch panel walls, excavations up to 30 ft. in depth and 20 ft. in width can be achieved. The excellent weight-to-strength ratio establishes the Super-Size Plus Shield as one of the strongest trench shields on the market while expanding the range of applications for lightweight aluminum trench shields.

**Lightweight
Aluminum Alloy
Construction**

**6-Inch
Panel Wall**

**60" Vertical
Clearance**

**Flat Bottom,
Knife-Edge &
Stackable Knife-
Edge Options**

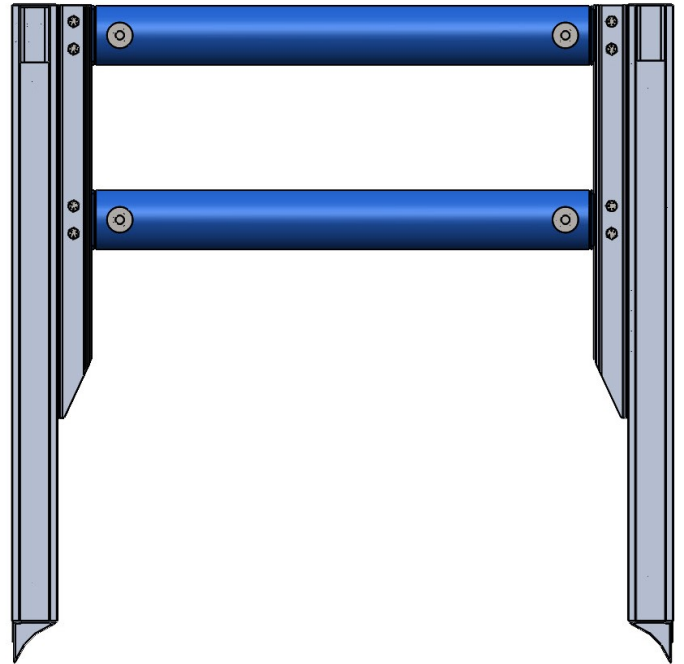
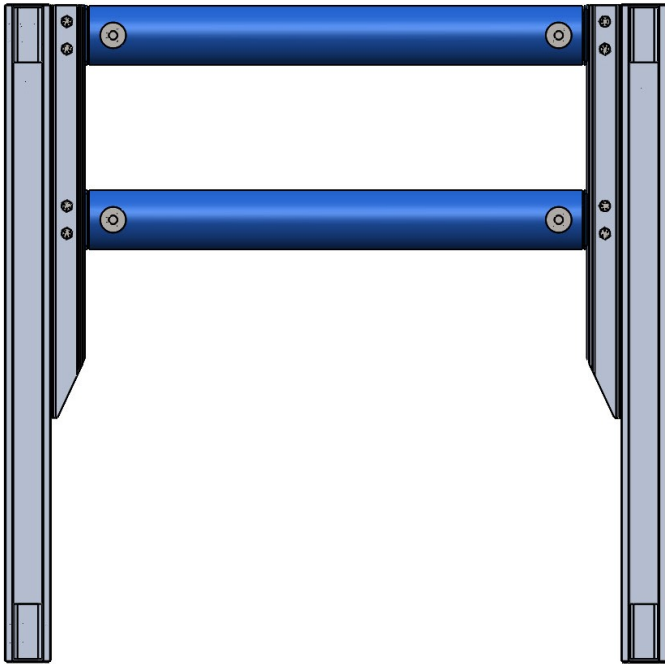
**8-Inch & 5-Inch
SCH. Pipe Spreader
Options**

Corporate Address:
265 Roberts Avenue,
Santa Rosa, CA 95407

Contacts:
pacificshoring.com
sales@pacificshoring.com
(833) 705-1938

Pacific SHORING

Quality Driven, Lead Time Focused



Lite Guard - Super Size Plus Aluminum Shield Properties												
Standard-Duty	Shield Height (ft.)	Shield Length (ft.)	Load Capacity (PSF.)	Allowable Depth Rating (ft.)				Allowable Trench Width (ft.)	Spreader Size	Vertical Clearance (in.)	Weight (lbs.)	
				A-25	B-45	C-60	C-80					
	8	12	1,440	30	30	24	18	20	8" SCH. 80	60	3,954	
	8	16	1,080	30	24	18	14	20	8" SCH. 80	60	4,909	
	8	20	878	30	20	15	11	20	8" SCH. 80	60	5,874	
	8	24	725	29	16	12	9	20	8" SCH. 80	60	6,834	
Heavy-Duty	Shield Height (ft.)	Shield Length (ft.)	Load Capacity (PSF.)	Allowable Depth Rating (ft.)				Allowable Trench Width (ft.)	Spreader Size	Vertical Clearance (in.)	Weight (lbs.)	
				A-25	B-45	C-60	C-80					
		8	12	1,800	30	30	30	23	20	8" SCH. 80	60	4,074
		8	16	1,380	30	30	23	17	20	8" SCH. 80	60	5,028
		8	20	1076	30	24	18	13	20	8" SCH. 80	60	6,839
	8	24	840	30	19	14	11	20	8" SCH. 80	60	7,985	

