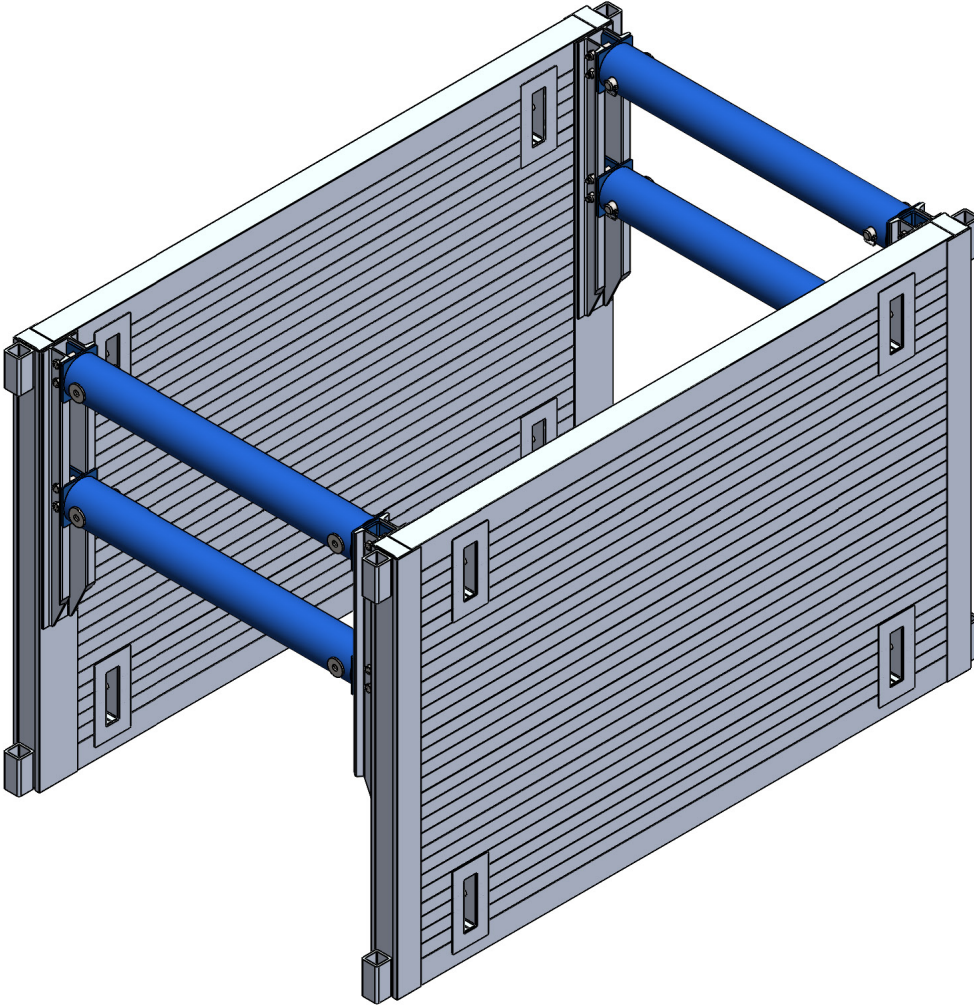


# Pacific SHORING

Quality Driven, Lead Time Focused



## Lite Guard

## Super-Size Plus Aluminum Shields

The Lite Guard Super-Size Plus Shield is a proven lightweight aluminum alternative to heavy steel trench shields that enables users to install the shields with much smaller, more mobile, and less expensive equipment. The shields are available in various configurations with multiple spreader options to suit changing job site conditions. With robust 6-Inch panel walls, excavations up to 30 ft. in depth and 20 ft. in width can be achieved. The excellent weight-to-strength ratio establishes the Super-Size Plus Shield as one of the strongest trench shields on the market while expanding the range of applications for lightweight aluminum trench shields.

**Lightweight  
Aluminum Alloy  
Construction**

**6-Inch  
Panel Wall**

**60" Vertical  
Clearance**

**Flat Bottom,  
Knife-Edge &  
Stackable Knife-  
Edge Options**

**8-Inch & 5-Inch  
SCH. Pipe Spreader  
Options**

**Corporate Address:**  
265 Roberts Avenue,  
Santa Rosa, CA 95407

**Contacts:**  
pacificshoring.com  
sales@pacificshoring.com  
(833) 705-1938

Standard-Duty	Lite Guard - Super Size Plus Aluminum Shield Properties										
	Shield Height (ft.)	Shield Length (ft.)	Load Capacity (PSF.)	Allowable Depth Rating (ft.)				Allowable Trench Width (ft.)	Spreader Size	Vertical Clearance (in.)	Weight (lbs.)
				A-25	B-45	C-60	C-80				
	8	12	1,902	30	30	30	27	20	8" SCH. 80	60	3,576
	8	16	1,427	30	30	27	21	20	8" SCH. 80	60	4,768
	8	20	1,141	30	28	22	17	20	8" SCH. 80	60	5,960
	8	24	870	30	22	17	14	20	8" SCH. 80	60	7,152

Heavy-Duty	Shield Height (ft.)	Shield Length (ft.)	Load Capacity (PSF.)	Allowable Depth Rating (ft.)				Allowable Trench Width (ft.)	Spreader Size	Vertical Clearance (in.)	Weight (lbs.)
				A-25	B-45	C-60	C-80				
		8	12	2,114	30	30	30	30	20	8" SCH. 80	60
	8	16	1,585	30	30	29	23	20	8" SCH. 80	60	5,334
	8	20	1,268	30	30	24	19	20	8" SCH. 80	60	6,668
	8	24	960	30	24	19	15	20	8" SCH. 80	60	7,762

Standard-Duty	Lite Guard - Super Size Plus Aluminum Shield Properties										
	Shield Height (ft.)	Shield Length (ft.)	Load Capacity (PSF.)	Allowable Depth Rating (ft.)				Allowable Trench Width (ft.)	Spreader Size	Vertical Clearance (in.)	Weight (lbs.)
				A-25	B-45	C-60	C-80				
	6	12	3,753	30	30	30	30	20	8" SCH. 80	36	2,794
	6	16	2,051	30	30	30	28	20	8" SCH. 80	36	3,725
	6	20	1,290	30	30	23	18	20	8" SCH. 80	36	4,656
	6	24	885	30	21	17	13	20	8" SCH. 80	36	5,587

Heavy-Duty	Shield Height (ft.)	Shield Length (ft.)	Load Capacity (PSF.)	Allowable Depth Rating (ft.)				Allowable Trench Width (ft.)	Spreader Size	Vertical Clearance (in.)	Weight (lbs.)
				A-25	B-45	C-60	C-80				
		6	12	3,888	30	30	30	30	20	8" SCH. 80	36
	6	16	2,235	30	30	30	30	20	8" SCH. 80	36	4,124
	6	20	1,406	30	30	25	20	20	8" SCH. 80	36	5,155
	6	24	965	30	23	18	14	20	8" SCH. 80	36	5,994

Standard-Duty	Lite Guard - Super Size Plus Aluminum Shield Properties										
	Shield Height (ft.)	Shield Length (ft.)	Load Capacity (PSF.)	Allowable Depth Rating (ft.)				Allowable Trench Width (ft.)	Spreader Size	Vertical Clearance (in.)	Weight (lbs.)
				A-25	B-45	C-60	C-80				
	4	12	3,884	30	30	30	30	20	8" SCH. 80	16	2,098
	4	16	2,122	30	30	30	28	20	8" SCH. 80	16	2,797
	4	20	1,335	30	30	23	18	20	8" SCH. 80	16	3,497
	4	24	916	30	21	16	13	20	8" SCH. 80	16	4,196

Heavy-Duty	Shield Height (ft.)	Shield Length (ft.)	Load Capacity (PSF.)	Allowable Depth Rating (ft.)				Allowable Trench Width (ft.)	Spreader Size	Vertical Clearance (in.)	Weight (lbs.)
				A-25	B-45	C-60	C-80				
		4	12	4,138	30	30	30	30	20	8" SCH. 80	16
	4	16	2,261	30	30	30	29	20	8" SCH. 80	16	3,011
	4	20	1,422	30	30	24	19	20	8" SCH. 80	16	3,764
	4	24	976	30	22	17	13	20	8" SCH. 80	16	4,348