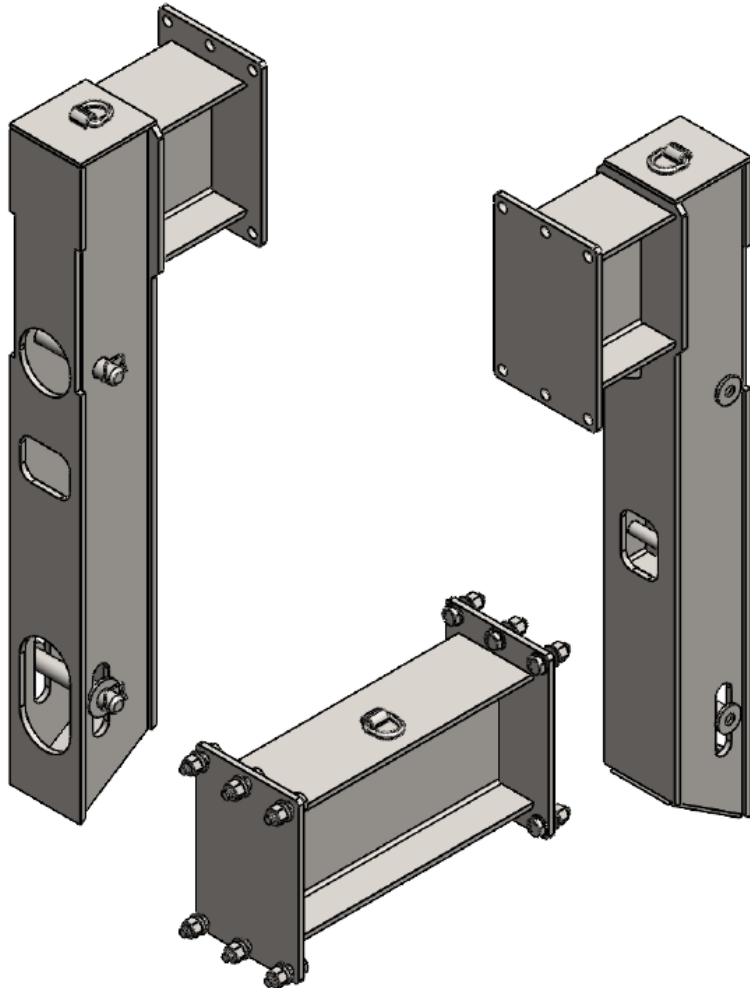


Pacific SHORING

Quality Driven, Lead Time Focused



SF-ATS HIGH ARCHES

The Pacific Shoring Products Beam Style High Arch for Steel-Framed Aluminum Shields is engineered for shoring applications that require increased vertical clearance and improved workspace accessibility. Constructed from high-strength steel, these beam-style arches provide additional overhead room, allowing crews to work more efficiently.

Available for 8-foot-tall Steel-Framed Aluminum Shields in both 4-inch and 7-inch collar designs, these arches are ideal for stacked shield conditions and provide up to 8 ft. of vertical clearance. Depending on the configuration, internal excavation widths can range from 4 ft. to 12 ft., offering added flexibility for a variety of trench and excavation projects.

**8 Foot
Vertical
Clearance**

**Available For
Shields With
4- & 7-inch
Collars**

**Up to 12 Feet In
Inside Width**

**Stacked
Conditions
Allowed**

Corporate Address:

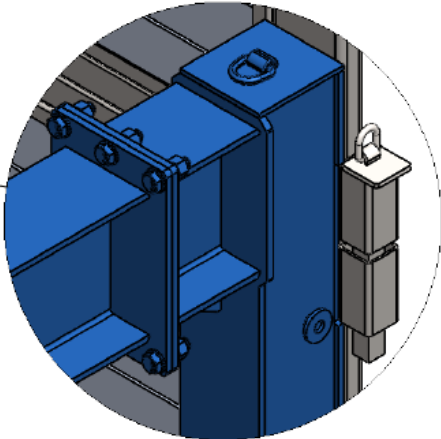
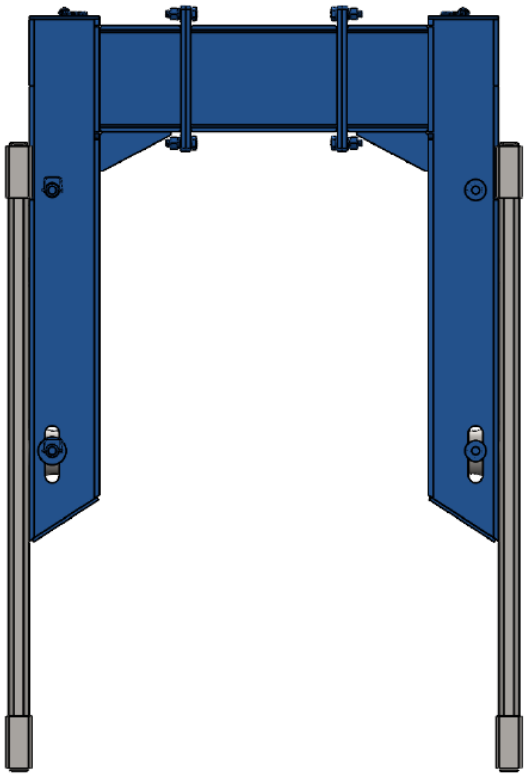
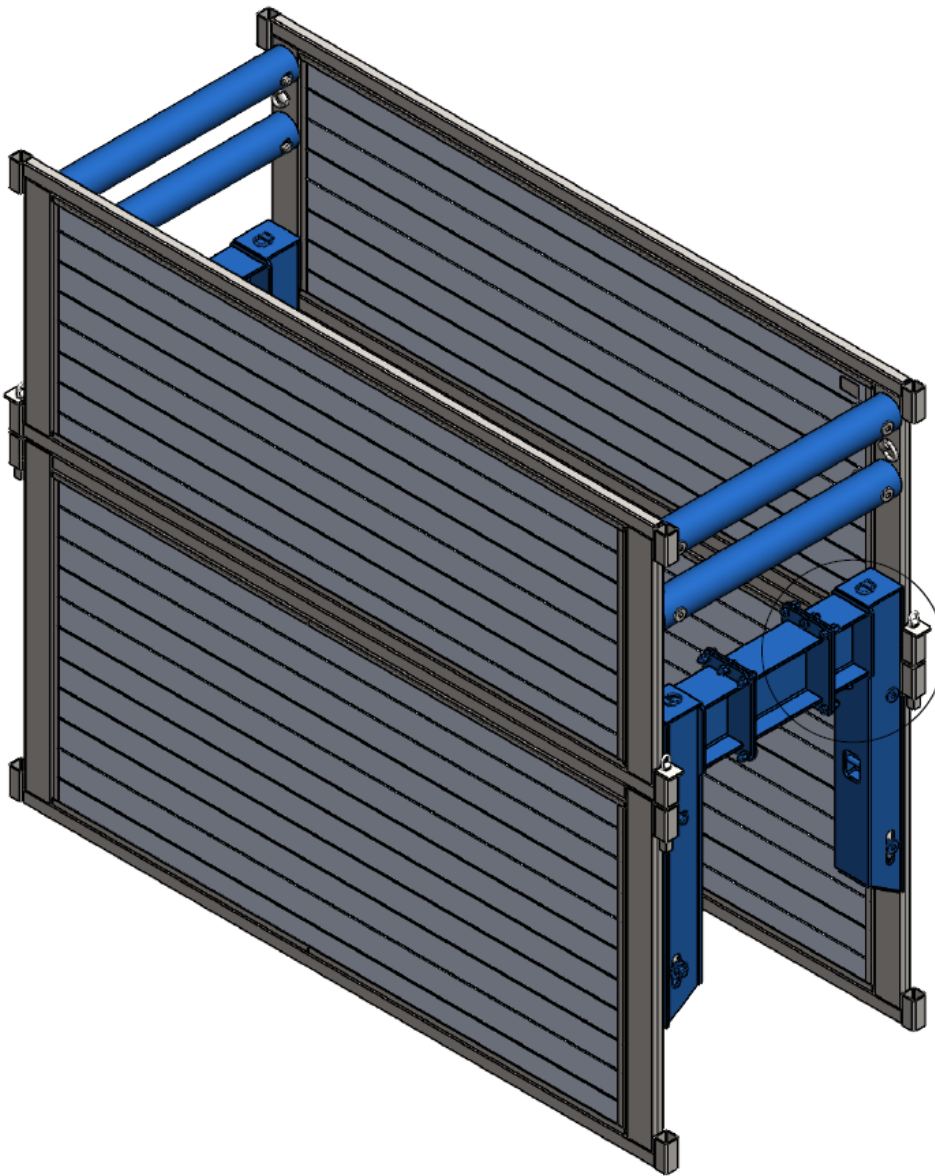
131 Stony Circle, Suite 1000,
Santa Rosa, CA 95401

Contacts:

pacificshoring.com
sales@pacificshoring.com
(833) 705-1938

Pacific SHORING

Quality Driven, Lead Time Focused



DETAIL A

STEEL FRAMED ALUMINUM TRENCH SHIELD HIGH ARCHES AND EXTENSIONS		
PART NUMBER	DESCRIPTION	WEIGHT(LBS)
11.ACC-ARCH-ATS-BEAM-96-4C	96" VERTICAL CLEARANCE ARCH, SET OF 2, BEAM STYLE, 4" COLLARS	1591
11.ACC-ARCH-ATS-BEAM-96-7C	96" VERTICAL CLEARANCE ARCH, SET OF 2, BEAM STYLE, 7" COLLARS	1565
16.SPR-ATS-BEAM-16X67-12	12" LONG BEAM EXTENSION, HARDWARE INCLUDED, QTY. 1	223
16.SPR-ATS-BEAM-16X67-24	24" LONG BEAM EXTENSION, HARDWARE INCLUDED, QTY. 1	289
16.SPR-ATS-BEAM-16X67-36	36" LONG BEAM EXTENSION, HARDWARE INCLUDED, QTY. 1	356
16.SPR-ATS-BEAM-16X67-48	48" LONG BEAM EXTENSION, HARDWARE INCLUDED, QTY. 1	422
16.SPR-ATS-BEAM-16X67-60	60" LONG BEAM EXTENSION, HARDWARE INCLUDED, QTY. 1	489
16.SPR-ATS-BEAM-16X67-72	72" LONG BEAM EXTENSION, HARDWARE INCLUDED, QTY. 1	555
16.SPR-ATS-BEAM-16X67-84	84" LONG BEAM EXTENSION, HARDWARE INCLUDED, QTY. 1	622
16.SPR-ATS-BEAM-16X67-96	96" LONG BEAM EXTENSION, HARDWARE INCLUDED, QTY. 1	688