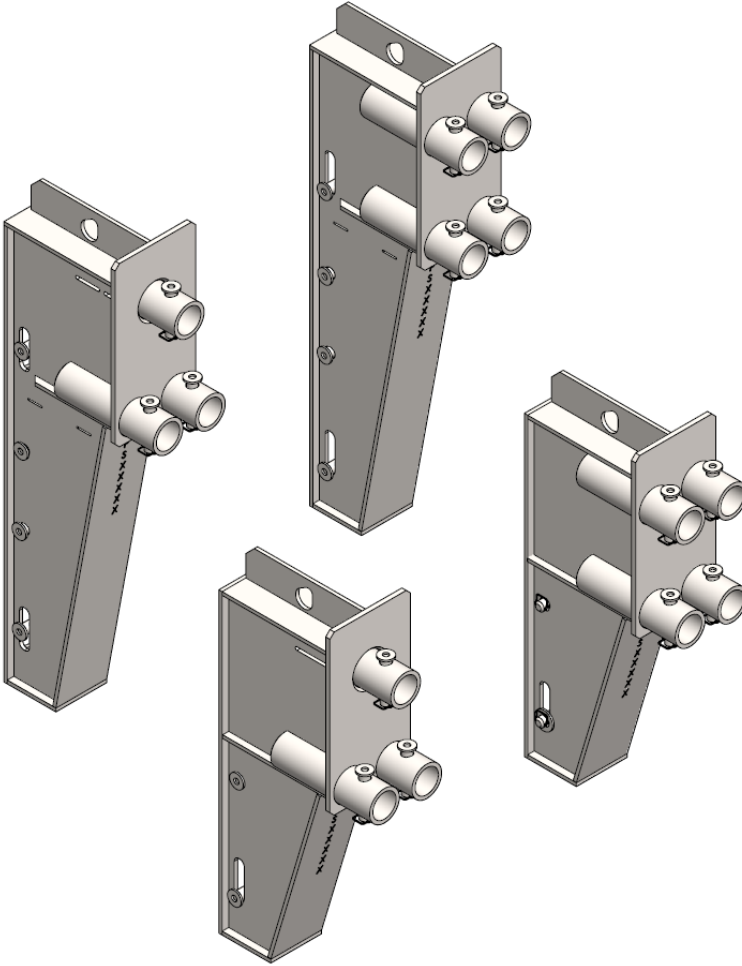


Pacific SHORING

Quality Driven, Lead Time Focused



STS SERIES 2 HIGH ARCHES

The Pacific Shoring Products Series 2 High Arches for Steel Trench Shields are designed for shoring applications that require increased vertical clearance and improved access within the excavation. The design features upgraded collar materials and fixturing hardware for enhanced durability and performance.

Four new arch configurations are now available to accommodate both stacked upright and stacked upside-down trench shields, making them ideal for projects with limited excavator reach. These versatile configurations provide greater flexibility to adapt to changing job-site conditions while helping contractors maximize efficiency and productivity across a wide range of trenching applications.

**96"-120"
&
120"-144"
High
Clearance
Options**

Updated Design

**Up to 20' In
Inside Width**

**Upright
&
Upside
Down
Stacked
Conditions
Allowed**

Corporate Address:

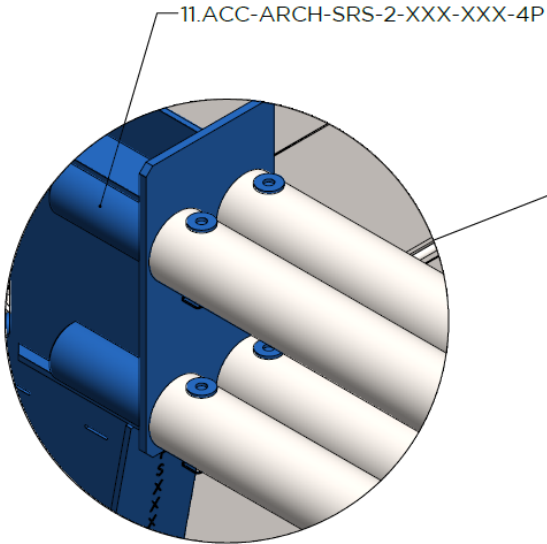
131 Stony Circle, Suite 1000,
Santa Rosa, CA 95401

Contacts:

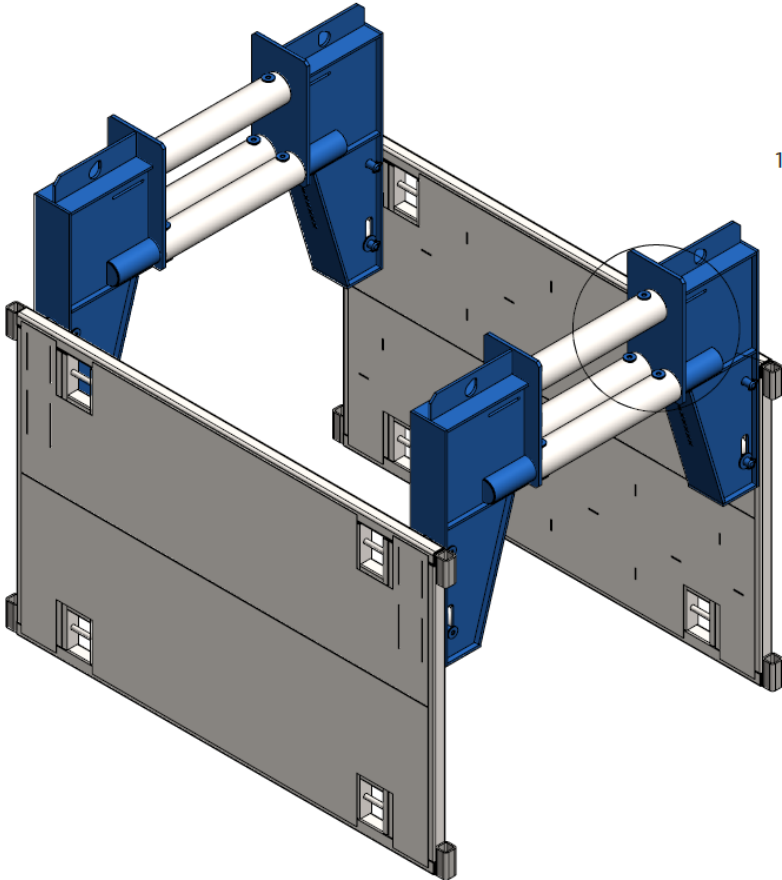
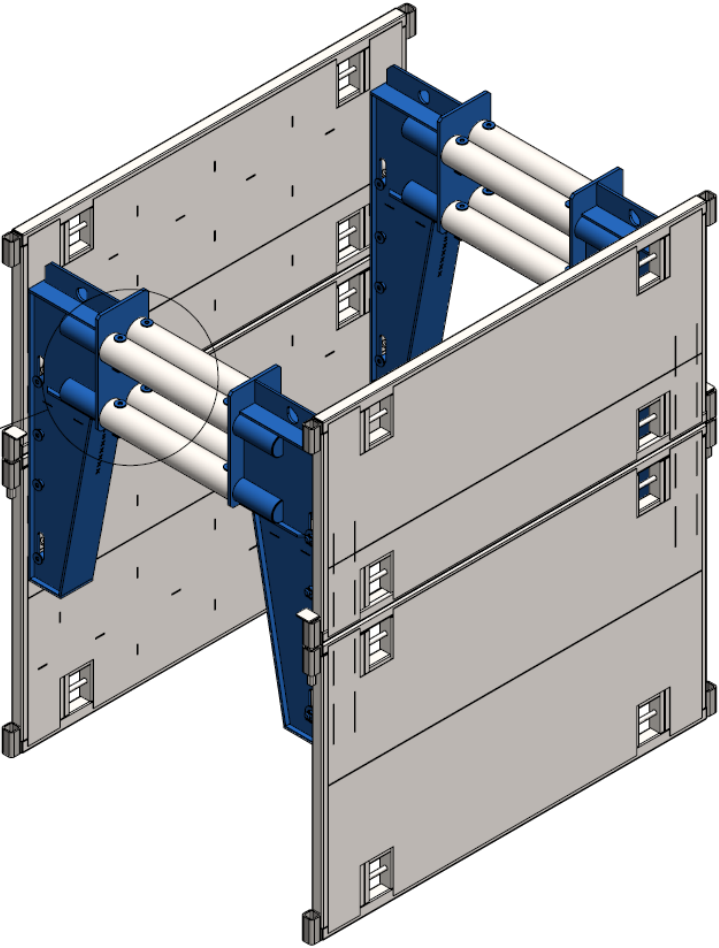
pacificshoring.com
sales@pacificshoring.com
(833) 705-1938

Pacific SHORING

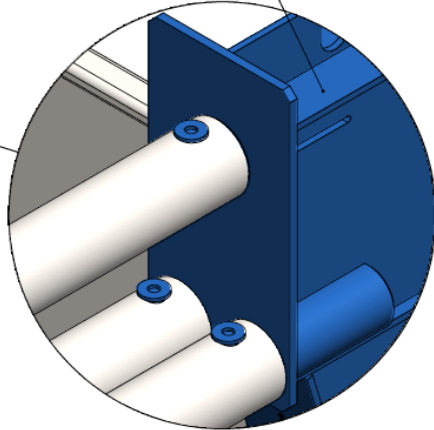
Quality Driven, Lead Time Focused



DETAIL A



11.ACC-ARCH-SRS-2-XXX-XXX-3P



DETAIL B